


Pompe a pistoni
Piston pumps

2

Piston pumps / Series P1-3F / P1-3F 3.1.6.1.

SERIE P1-3F 3.1.6.1.

CODICE DI ORDINAZIONE / DECODING

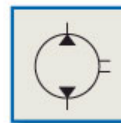
3.1.6 . 1 . XXX . 1 . 0 . 00

1 = UNI 3 FORI/3 HOLES UNI
 CILINDRATA/DISPLACEMENT
 1 = SERIE NORMALE/STANDARD SERIES
 CODICE BASE/BASIC CODE

UNI
21-222

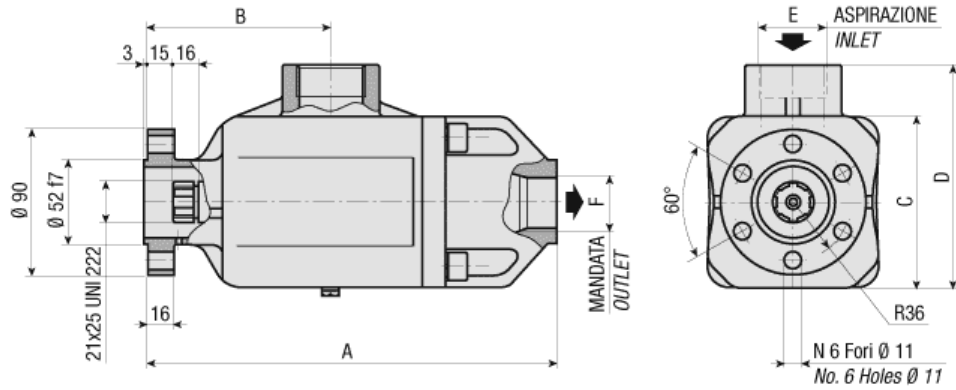
 P1 19-3F
 P1 25-3F
 P1 37-3F
 P1 50-3F
 P1 60-3F

Piston pumps



SPECIFICATIONS AND TECHNICAL DATA

TYPE	CODE	DISPLACEMENT cm ³	A mm	B mm	C mm	D mm	E INLET	F OUTLET	WEIGHT kg
P1 19-3F	3.1.6.1.019.1.0.00	19	253	113	106	138	1" 1/4 G	1" G	10
P1 25-3F	3.1.6.1.025.1.0.00	25	253	113	106	138	1" 1/4 G	1" G	10
P1 37-3F	3.1.6.1.037.1.0.00	37	253	113	106	138	1" 1/4 G	1" G	10
P1 50-3F	3.1.6.1.050.1.0.00	50	253	113	106	138	1" 1/4 G	1" G	10
P1 60-3F	3.1.6.1.060.1.0.00	60	253	113	106	138	1" 1/4 G	1" G	10



TYPE	CODE	DISPLACEMENT cm ³	MAX CONTINUOUS OPERATING PRESSURE bar	MAX INTERMITT. OPERATING PRESSURE (MAX 30S) bar	MAX PEAK PRESSURE (P<= 0.15) bar
P1 19-3F	3.1.6.1.019.1.0.00	19	350	400	450
P1 25-3F	3.1.6.1.025.1.0.00	25	350	400	450
P1 37-3F	3.1.6.1.037.1.0.00	37	350	400	450
P1 50-3F	3.1.6.1.050.1.0.00	50	350	400	450
P1 60-3F	3.1.6.1.060.1.0.00	60	300	350	400

TYPE	CODE	DISPLACEMENT cm ³	MAX INTERMITTENT SPEED (P<=20 BAR) n/min r.p.m.	MAX CONTINUOUS SPEED (P<=P1) n/min r.p.m.	MIN INTERMITTENT SPEED (P<=P2X0.5) (MAX 30S) n/min r.p.m.
P1 19-3F	3.1.6.1.019.1.0.00	19	2200	1800	400
P1 25-3F	3.1.6.1.025.1.0.00	25	2200	1800	400
P1 37-3F	3.1.6.1.037.1.0.00	37	2200	1800	400
P1 50-3F	3.1.6.1.050.1.0.00	50	2200	1800	400
P1 60-3F	3.1.6.1.060.1.0.00	60	2100	1700	400

Interpump Hydraulics Spa a socio unico - Business Unit PZB
 Sede Legale ed Operativa: Via A. Mingozzi, 6 - 40012 Calderara di Reno (BO) - Italy
 Tel.: +39 051 6460511 - Fax ITA: +39 051 6460565 - Fax EXPO: +39 051 6460560
 E-mail ITA: venditeitalia@pzbitaly.com - E-mail EXPO: info@pzbitaly.com - Web: www.pzbitaly.com
 Cap. Soc. Euro 2.631.600,00 i.v. - N. Mecc. BO 056383 - R.E.A. BO 444225 - C.F. 00883010241 - P.Iva IT02128140361
 Soggetta ad attivit  di Direzione e Coordinamento da parte di Interpump Group Spa

[HOME](#) [RESERVED AREA](#) [COOKIES POLICY](#)

Copyright   2015 Interpump Hydraulics.

website optimized for
 Internet Explorer 9 ■ Safari 5.1 ■ Chrome 18 ■ Opera 11.61 ■ Firefox 11